

Armada E700

Model	Config Codes
AE7 P2400 T 4X 14 V M 128 N4	CRX2
AE7 P2400 T 4X 14 V M 128 95	CRX5
AE7 P2400 T 4X 14 V M 128 98	CRX7
AE7 P3500 T 5X 18 V C 128 N4	DC61
AE7 P3500 T 5X 18 V C 128 58	DC62
AE7 P3500 T 5X 18 V C 128 N4	DC63
AE7 P3500 T 5X 18 V C 128 58	DC64
AE7 P3500 T 5X 18 V M 128 58	DC65
AE7 P3500 T 5X 18 V C 128 58	DC66

Armada	A	E	7		P2	400	T	4	X	14	V	M	128	N4
Key	1	2	3	4	5,6	7-9	10	11	12	D	D	D	D	D

Key	Description	Options
1	Brand	A = Armada
2	Segment	E = Enterprise
3	Family/Series	7 = 700
4	Blank	
5,6	Processor Type	P2 = Pentium II, C = Celeron, K = AMD K6
7-9	Processor Speed	400 = 400 MHz
10	Panel Type	T = TFT, S = STN
11	Panel Size	1 = 11.8 in., 2 = 12.1 in., 3 = 13.3 in., 4 = 14.1 in., 5 = 15 in.
12	Resolution	X = XGA, S = SVGA, G = SXGA
Dynamic	Hard Drive Size in GB	14 = 14 GB
	Optical Drive	V = DVD, D = CD
	Modem	M = Modem, C = Modem/Network Interface Controller Combination
	RAM	128 = 128 MB
	Operating System	95 = Win 95, 98 = Win 98, N4 = Win NT 4.0, 2K = Win 2000, 58 = Win 95 and Win 98, N2 = Win NT 4.0 and Win 2000

Armada E700

System Boards	Assembly	Spare Part
System Board I/O w/ MPIO 400 MHz	009978-001	386959-001
System Board I/O w/ MPIO 500 MHz		386959-003

Microprocessors	Spare Part
400 MHz MPIO	149811-001 Replaced w/ 386959-001
500 MHz MPIO	386959-003

Memory Boards/Modules	Spare Part
32 MB SODIMM (EURPs)*	135242-001
64 MB SODIMM (EURPs)*	135243-001
128 MB SODIMM (EURPs)*	135244-001

*Only end-user replaceable parts (notated EURPs) are orderable by Tech Support.

Modems	Assembly	Spare Part
56 Kbps, Mini, PCI	353927-001	127735-001
56 Kbps, Mini, PCI w/ Integrated NIC	353928-001	127736-001
56 KV.90 w/ Integrated NIC		153107-001*

*DC63, DC66

Hard Drives	Assembly	Spare Part
10 GB	305891-083	341841-001
14 GB	342618-002	400132-001
15 GB		172805-001
18 GB (EURPs)*		164567-001

*Only end-user replaceable parts (notated EURPs) are orderable by Tech Support.

Miscellaneous	Assembly	Spare Part
50 Watt Adapter, External	387661-001	163444-001
50 Watt Adapter, Internal	353919-001	354234-001
Audio Board	009981-001	386958-001
Base Enclosure	353962-001	149812-001
CPU Cover w/ out TouchPad		127226-001
Fan	353959-001	127225-001
Keyboard (International) w/ Pointing Stick	388921-002	122279-022
Keyboard (International) w/o Pointing Stick	388922-002	122279-021
Keyboard (U.S.) w/ Pointing Stick	388921-001	122279-002
Keyboard (U.S.) w/o Pointing Stick	388922-001	122279-001
Mini PCI Backplane Board	009984-001	386954-001
Plastics/Hardware Kit, Miscellaneous		127230-001
Universal Serial Bus (USB)	010054-001	386956-001

Removable Storage	Assembly	Spare Part
1.44 MB (EURPs)*	305936-001	135233-001
LS-120	305824-302	327456-003
LS-120, SuperDisk, Carbon (EURPs)*		327456-002
CD-ROM, 24X Max, IDE, Carbon (EURPs)*		315082-002
DVD-ROM, 4X (EURPs)*	388836-390	102266-001 Replaced w/ 173949-001
DVD-ROM, 8X		173949-001

*Only end-user replaceable parts (notated EURPs) are orderable by Tech Support.

Armada E700

Cables	Spare Part	
Auto Adapter		102257-001
Aircraft Adapter		102259-001
CSV-SVideo-RCA (additional video output)		102260-001

Video	Assembly	Spare Part
Display Panel, 14.1" CTFT	354134-001	127223-001
Display Panel, 15.1" CTFT		127224-001

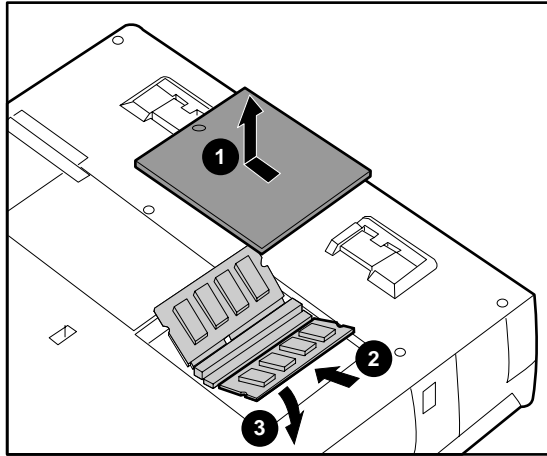
Battery	Assembly	Spare Part
Auxiliary, NIMH (EURPs)*	220351-001	220807-001
Li-Ion, 6-cell (EURPs)*		100680-001
Li-Ion, 8-cell (EURPs)*	354126-001	354233-001
Li-Ion, 12-cell (EURPs)*		100045-001
		Replaced w/ 354232-001
RTC (clock)	117223-001	117099-002

*Only end-user replaceable parts (notated EURPs) are orderable by Tech Support.

Armada E700

Memory Upgrade Chart

128 MB
386959-00X



MAXIMUM MEMORY 320 MB

32-MB SDRAM, OPTION PN 400311-B21

64-MB SDRAM, OPTION PN 400312-B21

128-MB SDRAM, OPTION PN 400313-B21